

ALUFLASH LIGHTWEIGHT FLASHING

AluFlash is a revolutionary and environmentally-friendly alternative to lead as a weathering flashing material for buildings. It incorporates all the useful features of lead but eliminates those that are undesirable.

It is aluminium-based and available in two unique surface finishes depending on the application.

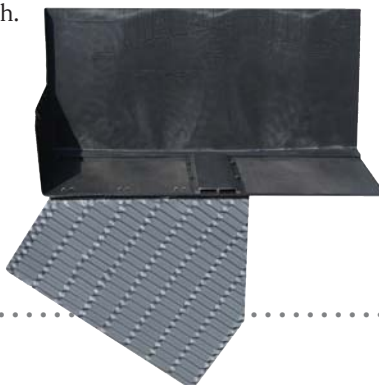


Features

- Lightweight, easy and safe to handle.
- Minimum 30 year design life.
- Easy to form over a range of roof profiles without the need for specialist skills or tools.
- Both elements of AluFlash have been durability tested and have been used in Europe for over 10 years as flashing materials.
- Non-toxic. No potential hazards for installers and no contamination of run-off water.
- Environmentally friendly. Suitable for rainwater harvesting systems.
- 6% the weight of code 4 lead, providing health and safety benefits for installers.
- Integral self-adhesive backing eliminates the risk of wind uplift which might allow water penetration.
- Recyclable backing sheet to keep adhesive clean until final installation.
- Highly durable surface finish which does not oxidise, stain or require patination oil.
- BRE certification applied for.

Z-Led Cavity Trays

AluFlash is also available factory-fitted to all Z-Led brick and blockwork abutment and horizontal cavity trays. These offer all the advantages of preformed cavity trays with the added benefits of AluFlash. For more information refer to the Z-Led Cavity Trays main brochure.



ALUFLASH LIGHTWEIGHT FLASHING



DESCRIPTION

Material

AluFlash is a combination of highly durable aluminium sheet with a solvent lacquer upper surface and an adhesive butyl backing with high levels of tack to prevent wind uplift.

Sizes

Roll length: 5m.
Roll widths: 150, 200, 250, 300, 350, 400, 450, 500, and 600mm.
Thickness: 4.1mm (cross-corrugated), 0.65mm (embossed).

Weight

A 250mm x 5m roll weighs only 1.8kg (embossed) or 1.6kg (cross-corrugated).

Working temperature

-40°C to 90°C.

Finishes

Two finishes depending on the application, see below.

Colour: lead-grey.

Cross-corrugated finish*

Designed for use where the flashing has to be moulded over and around complex shapes such as profiled roof tiles and corner junctions. Also available factory-fitted to Z-Led cavity trays.

The unique cross-corrugation pattern allows the AluFlash to curve and bend in more than one direction at once; single-corrugated materials cannot do this. The cross corrugation also allows up to 25% extensibility.

Depending on the application, the cross-corrugation pattern can be flattened using the AluFlash dressing tool.

Embossed finish

Designed for applications requiring less complex shaping such as pitched roof valleys, secret gutters, soakers for slates and double-lap tiles, and box gutters. It is malleable and can be shaped to the substrate, but is not extensible like the cross-corrugated type.

Application details

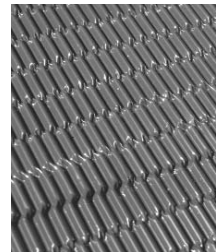
AluFlash can be used in the same way as lead sheet for all applications.

Technical support

Z-Led offer a full technical advisory and estimating service. Contact our Technical Services Department on 01773 814113 for further information or to request a complete schedule and quotation covering all products required.

Specification clause

Flashings to be AluFlash solvent lacquer-coated aluminium sheet with adhesive butyl backing.
Finish: embossed / cross-corrugated.
AluFlash supplied by Z-Led Ltd, Plymouth Avenue, Brookhill Industrial Estate, Pinxton, Nottingham NG16 6NS, Telephone: 01773 814113, Fax: 01773 814115, Email: info@z-led.com.



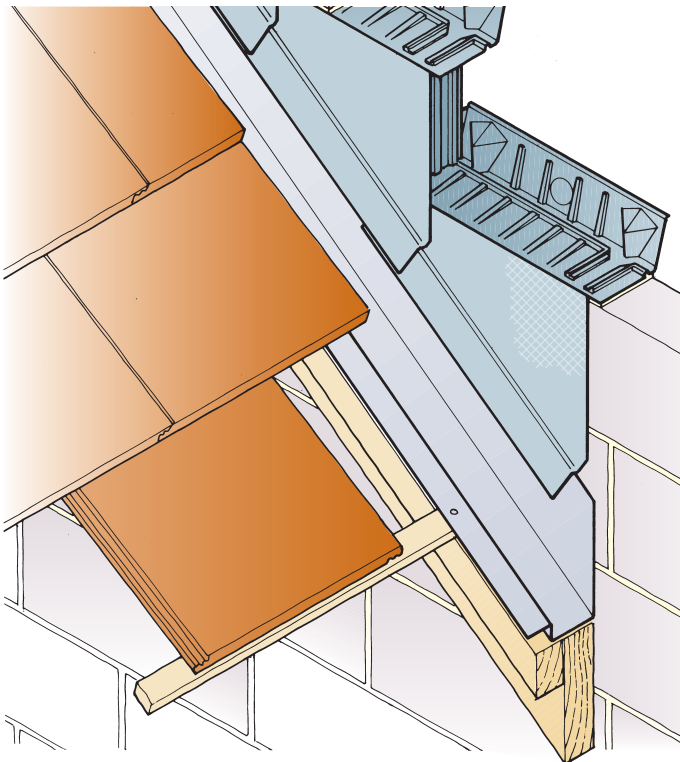
Cross-corrugated finish*



Embossed finish



* patent applied for



Z-Led Limited

Plymouth Avenue, Brookhill Industrial Estate, Pinxton, Nottingham NG16 6NS

Telephone: 01773 814113 Fax: 01773 814115

Email: info@z-led.com Web: www.z-led.com

Z-Led Limited maintains a policy of continuous development and reserves the right to amend product specifications without notice.

BPD

A member of the Building Product Design Group

